

SFM Series

AIRBEST

Flat Suction Cup Special for Oily Metal Sheet



METAL SHEET



SLIPPING RESISTANCE



CURVED SURFACE



OILY SURFACE



LONG LIFETIME



Features

- ◇ Large compressed stroke, good flexibility
- ◇ PU material
- ◇ Internal large area support structure
- ◇ Various sizes are available

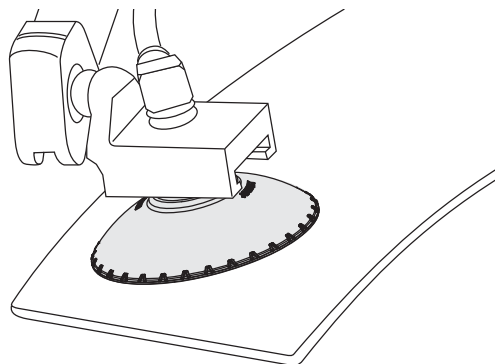
Advantages

- ◇ Easy to fit workpieces with different shapes of surfaces
- ◇ Long lifetime, and wear resistance, ozone resistance and oil resistance are excellent
- ◇ Effectively enhance friction force between suction cups and workpieces
- ◇ Suitable for workpieces with different sizes and shapes



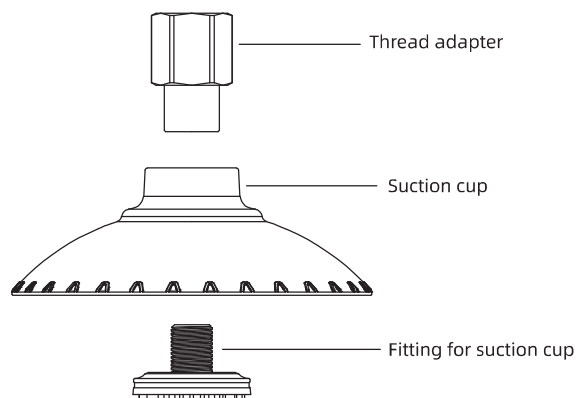
Applications

- ◇ Handling of oily metal sheet
- ◇ Handling curved metal sheet
- ◇ Handling automotive stamping metal parts



Structure

- ◇ Split structure design, wearing parts can be replaced separately



SFM Series

Flat Suction Cup Special for Oily Metal Sheet

How to order

SFM 50 U - G3F

① ② ③ ④

① Series	② Diameter	③ Material & Hardness	④ Connection thread
SFM	30 - ϕ 30mm	U - PU	70
	40 - ϕ 40mm		
	50 - ϕ 50mm		
	60 - ϕ 60mm		
	80 - ϕ 80mm		
	100 - ϕ 100mm		
	120 - ϕ 120mm		
			Nil - Suction cup only
			G1F - G1/8 female thread
			G2F - G1/4 female thread
			G3F - G3/8 female thread
			G2M - G1/4 male thread
			M10M - M10 \times 1.5 male thread
			M14M - M14 \times 1.5 male thread
			RA - Rectangular adapter

Selection

Model	Connection thread						
	G2M	M10M	M14M	G1F	G2F	G3F	RA
SFM30U	-	SFM30U-M10M	-	SFM30U-G1F	-	-	SFM30U-RA
SFM40U	-	SFM40U-M10M	-	SFM40U-G1F	-	-	SFM40U-RA
SFM50U	SFM50U-G2M	SFM50U-M10M	SFM50U-M14M	-	SFM50U-G2F	SFM50U-G3F	SFM50U-RA
SFM60U	SFM60U-G2M	SFM60U-M10M	SFM60U-M14M	-	SFM60U-G2F	SFM60U-G3F	SFM60U-RA
SFM80U	SFM80U-G2M	SFM80U-M10M	SFM80U-M14M	-	SFM80U-G2F	SFM80U-G3F	SFM80U-RA
SFM100U	SFM100U-G2M	SFM100U-M10M	SFM100U-M14M	-	SFM100U-G2F	SFM100U-G3F	SFM100U-RA
SFM120U	SFM120U-G2M	SFM120U-M10M	SFM120U-M14M	-	SFM120U-G2F	SFM120U-G3F	SFM120U-RA

Technical parameters

Model	Pull-out force N	Inner volume cm ³	Min.curve radius of workpiece mm	Weight g	Recommended hose dia. mm	MPQ pcs
SFM30	45	4.5	25	3.5	6	1
SFM40	70	8.5	30	5.0	6	1
SFM50	112	18.6	35	8.5	8	1
SFM60	150	26	40	11	8	1
SFM80	285	56	60	21	8	1
SFM100	420	105	70	35	10	1
SFM120	580	153	90	55	10	1

◇ Note: Testing vacuum level -60kPa, workpiece with smooth and clean surface. The data of pull-out force as above are figured out without considering safety factor. The data may be different according to different workpiece surfaces.

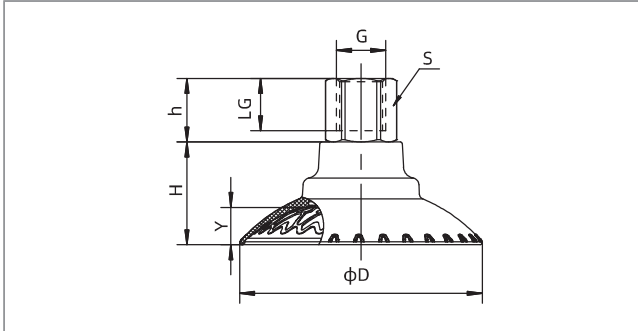
- SZ
- SP3
- SUF
- SAN
- SAO
- SOFA
- STP
- SFT
- SFA
- SBT
- SBL
- SBLP
- SBS
- SFP
- SBP
- SXP
- SGP
- SBOF
- STC
- SFF
- SOB
- SOE
- SOG
- SFM**
- SOM
- SBF
- SDM
- SFU
- SFK
- SHT
- SDL
- SFG
- SFGT
- SFD
- SB
- SBA
- SF
- SU
- SPA
- SPD
- SPF
- SPC
- SPJ
- SFU
- SH
- SHB
- SBB
- SOP
- SNP

SFM Series

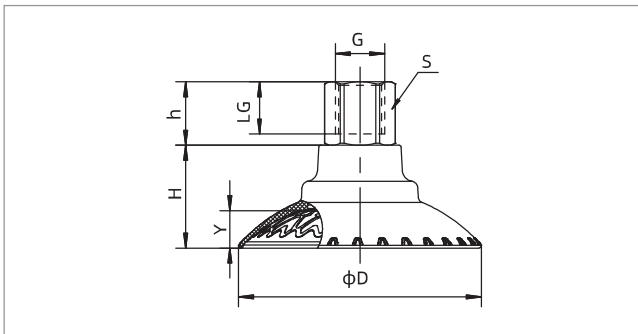


Flat Suction Cup Special for Oily Metal Sheet

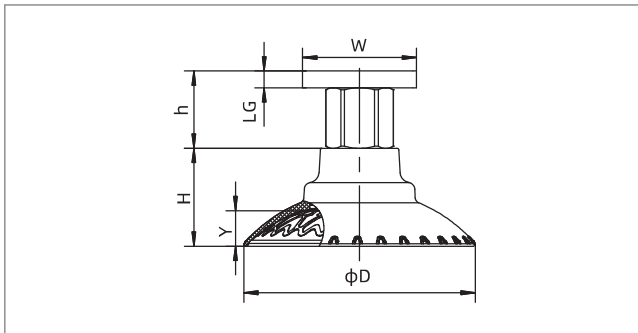
Dimensions(mm)



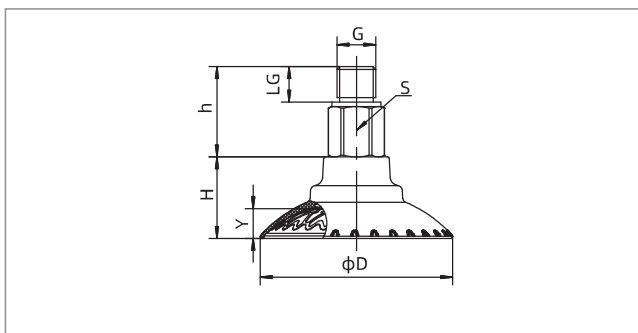
F - Female thread connection



F - Female thread connection



RA - Rectangular adapter



M - Male thread connection

Model/Size	D	H	G	h	LG	S	Y
SFM30U-G1F	34	17.5	G1/8	14	10	14	4
SFM40U-G1F	43.5	20	G1/8	14	10	14	6.3
SFM50U-G2F	55	25	G1/4	17	12	17	7.8
SFM60U-G2F	65	27.5	G1/4	17	12	17	10
SFM80U-G2F	85	30	G1/4	17	12	17	13
SFM100U-G2F	105.5	37	G1/4	17	12	17	15.5
SFM120U-G2F	123	41	G1/4	17	12	17	18.5

Model/Size	D	H	G	h	LG	S	Y
SFM50U-G3F	55	25	G3/8	17	12	22	7.8
SFM60U-G3F	65	27.5	G3/8	17	12	22	10
SFM80U-G3F	85	30	G3/8	17	12	22	13
SFM100U-G3F	105.5	37	G3/8	17	12	22	15.5
SFM120U-G3F	123	41	G3/8	17	12	22	18.5

Model/Size	D	H	w	h	LG	Y
SFM30U-RA	34	17.5	31.8×31.8	21.7	4.7	4
SFM40U-RA	43.5	20	31.8×31.8	21.7	4.7	6.3
SFM50U-RA	55	25	31.8×31.8	21.7	4.7	7.8
SFM60U-RA	65	27.5	31.8×31.8	21.7	4.7	10
SFM80U-RA	85	30	31.8×31.8	21.7	4.7	13
SFM100U-RA	105.5	37	31.8×31.8	21.7	4.7	15.5
SFM120U-RA	123	41	31.8×31.8	21.7	4.7	18.5

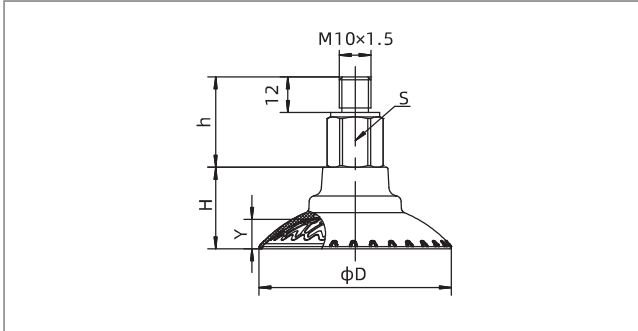
Model/Size	D	H	G	h	LG	S	Y
SFM50U-G2M	55	25	G1/4	28	9	17	7.8
SFM60U-G2M	65	27.5	G1/4	28	9	17	10
SFM80U-G2M	85	30	G1/4	28	9	17	13
SFM100U-G2M	105.5	37	G1/4	28	9	17	15.5
SFM120U-G2M	123	41	G1/4	28	9	17	18.5

SFM Series

Flat Suction Cup Special for Oily Metal Sheet

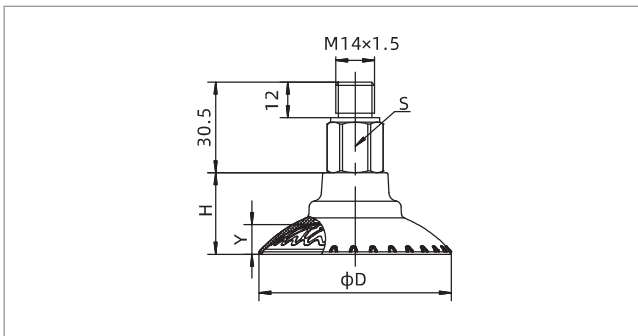


Dimensions(mm)



M - Male thread connection

Model/Size	D	H	h	S	Y
SFM30U-M10M	34	17.5	27.5	14	4
SFM40U-M10M	43.5	20	27.5	14	6.3
SFM50U-M10M	55	25	30.5	17	7.8
SFM60U-M10M	65	27.5	30.5	17	10
SFM80U-M10M	85	30	30.5	17	13
SFM100U-M10M	105.5	37	30.5	17	15.5
SFM120U-M10M	123	41	30.5	17	18.5

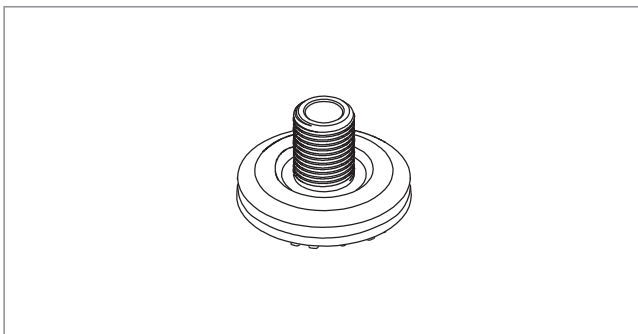


M - Male thread connection

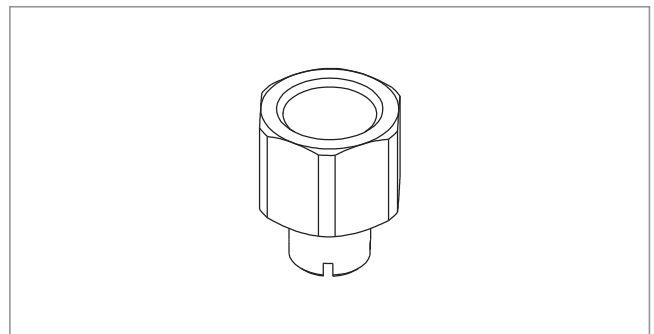
Model/Size	D	H	h	S	Y
SFM50U-M14M	55	25	30.5	17	7.8
SFM60U-M14M	65	27.5	30.5	17	10
SFM80U-M14M	85	30	30.5	17	13
SFM100U-M14M	105.5	37	30.5	17	15.5
SFM120U-M14M	123	41	30.5	17	18.5

◇ Note: The dimensional tolerance conforms to GBT3672.1-2002-1 M3 rubber product dimensional tolerance standard

Mounting parts



PJS - Fitting for suction cup



PJT - Thread adapter

Item	Model	Applicable suction cup
Fitting for suction cup	PJS-M8M-SFM40	SFM30,40
	PJS-G1M-SFM80	SFM50,60,80
	PJS-G1M-SFM120	SFM100,120
Thread adapter	PJT-M8F-G1F	SFM30,40
	PJT-G1F-G2F	SFM50,60,80,100,120
	PJT-G1F-G3F	SFM50,60,80,100,120

- SZ
- SP3
- SUF
- SAN
- SAO
- SOFA
- STP
- SFT
- SFA
- SBT
- SBL
- SBLP
- SBS
- SFP
- SBP
- SXP
- SGP
- SBOF
- STC
- SFF
- SOB
- SOF
- SOG
- SFM
- SOM
- SBF
- SDM
- SFU
- SFK
- SHT
- SDL
- SFG
- SFGT
- SFD
- SB
- SBA
- SF
- SU
- SPA
- SPD
- SPF
- SPC
- SPJ
- SPU
- SH
- SHB
- SBB
- SOP
- SNP